

DESCRIPTION

AMC MODEL SWN-218-2DT-STANDARD OPTION: 100M3, HS10NS, HPR1W, B02MINUS15V IS AN ABSORPTIVE/NON-REFLECTIVE SINGLE POLE TWO THROW SWITCH DESIGNED TO OPERATE AT A 100 MHz TO 3 GHz FREQUENCY RANGE WITH LOW INSERTION LOSS AND HIGH ISOLATION.

SPECIFICATIONS

- FREQUENCY RANGE: 100 MHz TO 3 GHz
- INSERTION LOSS: 2.5 dB MAXIMUM
- ISOLATION: 60 dB MINIMUM
- VSWR: 2.0:1
- RISE TIME: 5 nSec TYPICAL, 10 nSec MAXIMUM
- FALL TIME: 5 nSec TYPICAL, 10 nSec MAXIMUM
- DELAY ON: 75 nSec TYPICAL, 100 nSec MAXIMUM
- DELAY OFF: 75 nSec TYPICAL, 100 nSec MAXIMUM
- POWER INPUT: 1 WATT CW MAXIMUM
- CONTROL: TTL LOGIC "0" = J1-J2 ON
TTL LOGIC "1" = J1-J3 ON
- POWER SUPPLY: +5V @ 100 mA MAXIMUM
-15V @ 75 mA MAXIMUM
- CONNECTORS:
RF: SMA FEMALE
CONTROL: SOLDER PIN
- SIZE: 1.20" (L) x 1.00" (W) x 0.50" (H)
- WEIGHT: 1.5 OUNCE TYPICAL

OPTIONS:

- 100M3: 100 MHz TO 3 GHz
- HS10NS: HIGH SPEED OF 10 nS
- HPR1W: HIGH POWER OF 1 WATT
- B02MINUS15V: -15V POWER SUPPLY

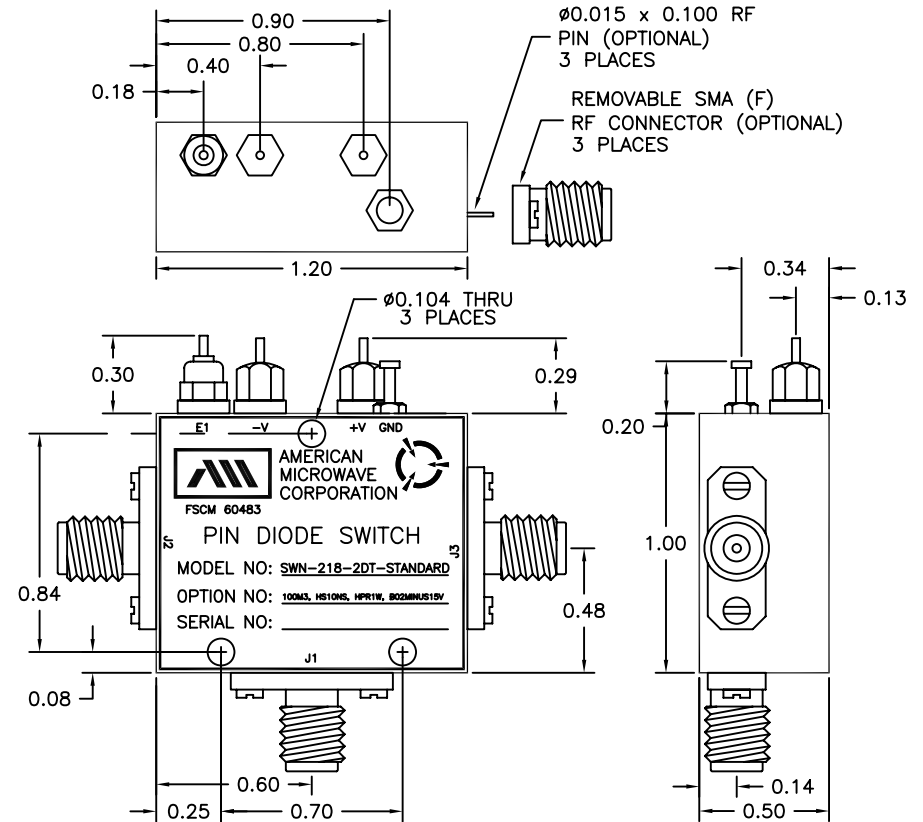
ENVIRONMENTAL RATINGS:

- TEMPERATURE: -55°C TO +85°C (OPERATING)
-65°C TO +125°C (STORAGE)
- HUMIDITY: MIL-STD-202F, METHOD 103B COND. B
- SHOCK: MIL-STD-202F, METHOD 213B COND. B
- VIBRATION: MIL-STD-202F, METHOD 204D COND. B
- ALTITUDE: MIL-STD-202F, METHOD 105C COND. B
- TEMPERATURE CYCLE: MIL-STD-202F, METHOD 107D COND. A

NOTE: SPECIFICATIONS WILL VARY OVER OPERATING TEMPERATURE
NOTE: THE ABOVE SPECIFICATIONS ARE SUBJECT TO CHANGE OR REVISION

ALL DIMENSIONS ARE IN INCHES
TOLERANCES:
X.XX ±0.020
X.XXX ±0.010

REVISIONS				
ZONE	REV.	DESCRIPTION	DATE	APPROVED
	-	ORIGINAL RELEASE JOB# 609182	10/26/06	



AMERICAN MICROWAVE CORPORATION

7311-G GROVE ROAD
FREDERICK, MARYLAND 21704 USA
TEL: 301-662-4700 FAX: 301-662-4938
WEBSITE: www.americanmicrowavecorp.com
E-MAIL: sales@americanmicrowavecorp.com
ISO 9001:2000 CERTIFIED

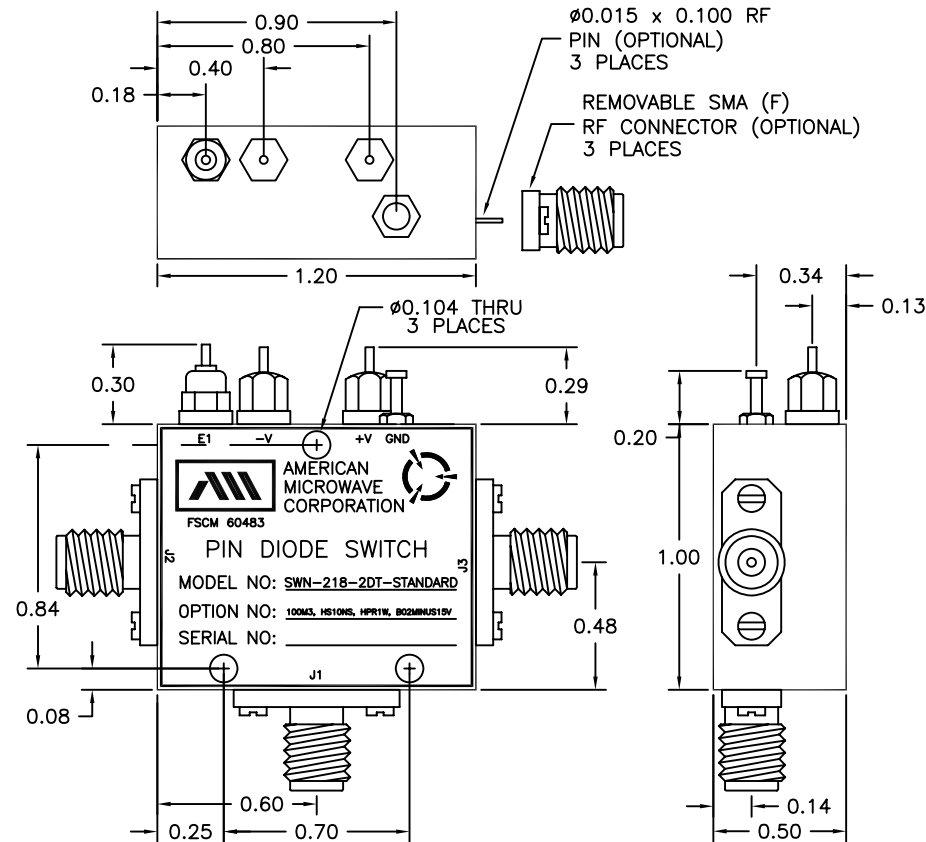


APPROVALS		DATE	TITLE			
DRAWN <i>WLS</i>		10/26/06	PRODUCT FEATURE SWN-218-2DT-STANDARD OPTION: 100M3, HS10NS, HPR1W, B02MINUS15V 100 MHz TO 3 GHz PIN DIODE SWITCH			
CHECKED <i>RA</i>		10/30/06	SIZE	FSCM NO.	DWG NO.	REV.
ISSUED			A	60483	100-4427-118	-
			SCALE	N:S		SHEET 1 OF 4

DESCRIPTION

AMC MODEL SWN-218-2DT-STANDARD OPTION: 100M3, HS10NS, HPR1W, B02MINUS15V IS AN ABSORPTIVE/NON-REFLECTIVE SINGLE POLE TWO THROW SWITCH DESIGNED TO OPERATE AT A 100 MHz TO 3 GHz FREQUENCY RANGE WITH LOW INSERTION LOSS AND HIGH ISOLATION.

MECHANICAL OUTLINE



REVISIONS				
ZONE	REV.	DESCRIPTION	DATE	APPROVED
	-	ORIGINAL RELEASE JOB# 609182	10/26/06	

AMERICAN MICROWAVE CORPORATION

7311-G GROVE ROAD
 FREDERICK, MARYLAND 21704 USA
 TEL: 301-662-4700 FAX: 301-662-4938
 WEBSITE: www.americanmicrowavecorp.com
 E-MAIL: sales@americanmicrowavecorp.com
 ISO 9001:2000 CERTIFIED



ALL DIMENSIONS ARE IN INCHES
 TOLERANCES:
 X.XX ±0.020
 X.XXX ±0.010

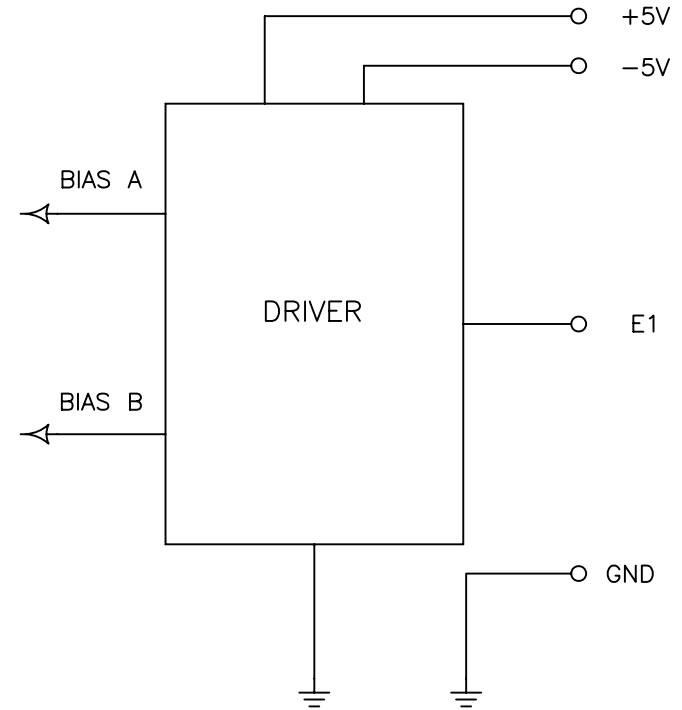
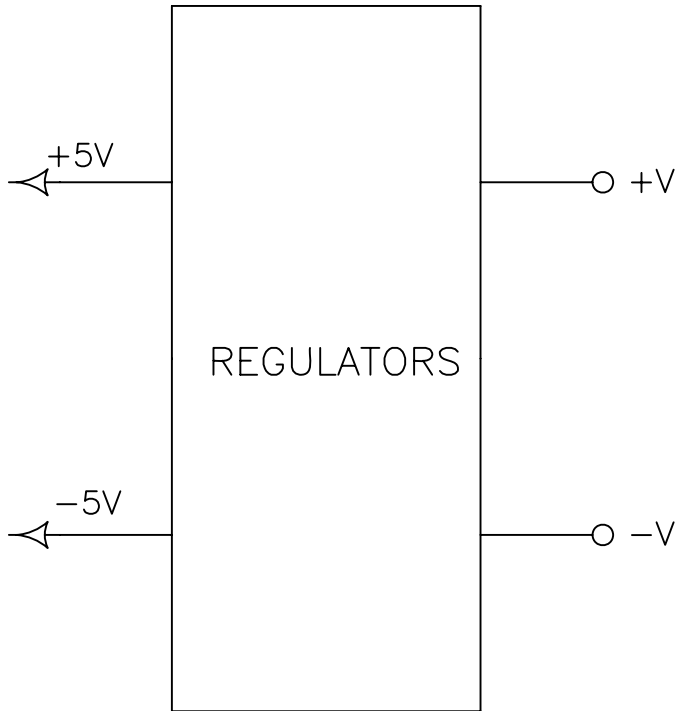
APPROVALS		DATE	TITLE		
DRAWN <i>WFL</i>		10/26/06	MECHANICAL OUTLINE SWN-218-2DT-STANDARD OPTION: 100M3, HS10NS, HPR1W, B02MINUS15V 100 MHz TO 3 GHz PIN DIODE SWITCH		
CHECKED <i>RA</i>		10/30/06	SIZE	FSCM NO.	DWG NO.
ISSUED			A	60483	100-4427-118
SCALE N:S			SHEET		2 OF 4

DESCRIPTION

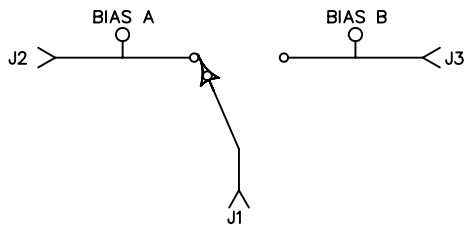
AMC MODEL SWN-218-2DT-STANDARD OPTION: 100M3, HS10NS, HPR1W, B02MINUS15V IS AN ABSORPTIVE/NON-REFLECTIVE SINGLE POLE TWO THROW SWITCH DESIGNED TO OPERATE AT A 100 MHZ TO 3 GHZ FREQUENCY RANGE WITH LOW INSERTION LOSS AND HIGH ISOLATION.

REVISIONS				
ZONE	REV.	DESCRIPTION	DATE	APPROVED
	-	ORIGINAL RELEASE JOB# 609182	10/26/06	

FUNCTIONAL BLOCK DIAGRAM



BLOCK DIAGRAM



CONFIDENTIAL AND PROPRIETARY

AMERICAN MICROWAVE CORPORATION

7311-G GROVE ROAD
 FREDERICK, MARYLAND 21704 USA
 TEL: 301-662-4700 FAX: 301-662-4938
 WEBSITE: www.americanmicrowavecorp.com
 E-MAIL: sales@americanmicrowavecorp.com
 ISO 9001:2000 CERTIFIED



APPROVALS		DATE	TITLE			
DRAWN <i>WFL</i>		10/26/06	FUNCTIONAL BLOCK DIAGRAM SWN-218-2DT-STANDARD			
CHECKED <i>RA</i>		10/30/06	OPTION: 100M3, HS10NS, HPR1W, B02MINUS15V 100 MHZ TO 3 GHZ PIN DIODE SWITCH			
ISSUED			SIZE	FSCM NO.	DWG NO.	REV.
			A	60483	100-4427-118	-
SCALE N:S			SHEET		3 OF 4	

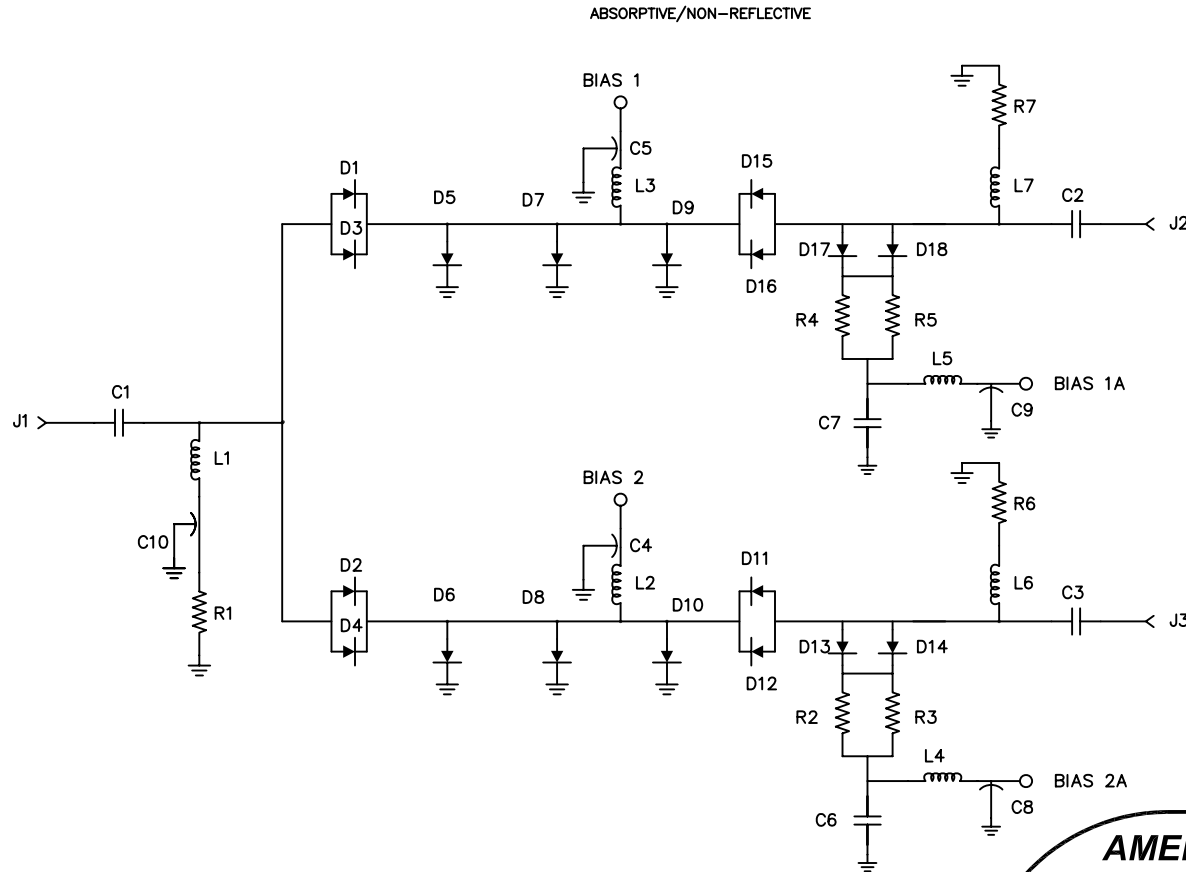
DESCRIPTION

AMC MODEL SWN-218-2DT-STANDARD OPTION: 100M3, HS10NS, HPR1W, B02MINUS15V IS AN ABSORPTIVE/NON-REFLECTIVE SINGLE POLE TWO THROW SWITCH DESIGNED TO OPERATE AT A 100 MHz TO 3 GHz FREQUENCY RANGE WITH LOW INSERTION LOSS AND HIGH ISOLATION.

REVISIONS				
ZONE	REV.	DESCRIPTION	DATE	APPROVED

	-	ORIGINAL RELEASE JOB# 609182 GTRI, GA	10/26/06	
--	---	--	----------	--

FUNCTIONAL SCHEMATIC DIAGRAM



AMERICAN MICROWAVE CORPORATION

7311-G GROVE ROAD
 FREDERICK, MARYLAND 21704 USA
 TEL: 301-662-4700 FAX: 301-662-4938
 WEBSITE: www.americanmicrowavecorp.com
 E-MAIL: sales@americanmicrowavecorp.com
 ISO 9001:2000 CERTIFIED



CONFIDENTIAL AND PROPRIETARY

APPROVALS		DATE	TITLE			
DRAWN <i>WFLS</i>		10/26/06	FUNCTIONAL SCHEMATIC DIAGRAM SWN-218-2DT-STANDARD			
CHECKED <i>RA</i>		10/30/06	OPTION: 100M3, HS10NS, HPR1W, B02MINUS15V 100 MHz TO 3 GHz PIN DIODE SWITCH			
ISSUED			SIZE	FSCM NO.	DWG NO.	REV.
			A	60483	100-4427-118	-
			SCALE	SHEET		4 OF 4
			N:S			